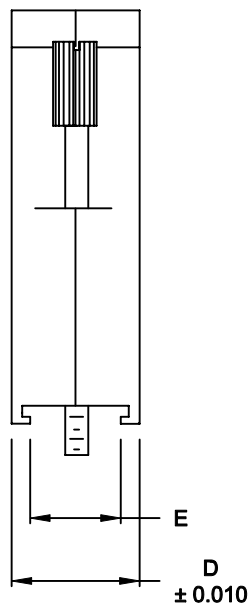
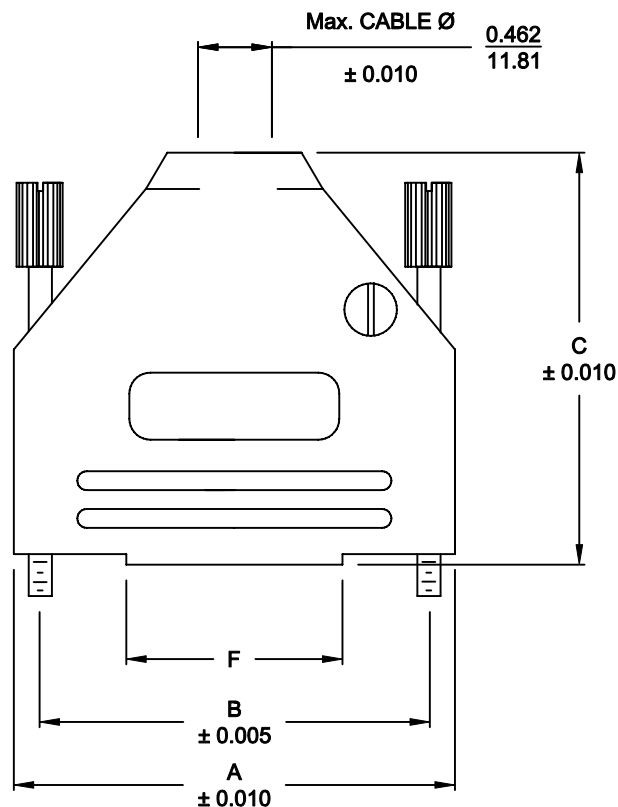


DESCRIPTION: **970 SERIES D-SUB BACKSHELL**

**BACKSHELL KIT INCLUDES:**

- (2) BACKSHELL HALVES
- (2) 4-40 THUMBSCREWS
- (2) HOUSING SCREWS
- (1) SET OF COMPRESSION INSERTS-VARIOUS SIZES
- (1) COMPRESSION SPRING (DIE CAST, ZINC OR METALLIZED PLASTIC)

DIMENSIONS (IN.)						
No. OF PINS	A	B	C	D	E	F
9	1.228	0.984	1.571	0.590	0.388	0.514
	31.19	24.99	39.90	14.99	9.86	13.06
15	1.555	1.312	1.634	0.590	0.393	0.789
	39.50	33.32	41.50	14.99	9.98	20.04
25	2.102	1.852	1.913	0.590	0.378	1.024
	53.39	47.04	48.59	14.99	9.60	26.01
37	2.744	2.500	2.110	0.590	0.409	1.690
	69.70	63.50	53.59	14.99	10.39	42.93



**970-YYY-030R121**

SERIES \_\_\_\_\_

POSITIONS \_\_\_\_\_

009

015

025

037

MATERIAL \_\_\_\_\_

030 = ZINC

COLOR \_\_\_\_\_

12 = NICKEL OVER COPPER

PUT-UPS \_\_\_\_\_

1 = KIT

**RoHS COMPLIANT**

MATERIAL: DIE-CAST ZINC ALLOY  
 PLATING: NICKEL OVER COPPER  
 JACKSCREWS: STEEL  
 M3 HOODSCREWS: STEEL  
 COMPRESSION INSERT: ABS UL 94V-O  
 M3 NUT: STEEL  
 OPERATING TMPEP: -30°C TO +90°C

	THESE DRAWINGS AND SPECIFICATIONS ARE THE PROPERTY OF NorComp AND SHALL NOT BE REPRODUCED, COPIED OR USED AS THE BASIS FOR THE MANUFACTURE OR SALE OF APPARATUS WITHOUT WRITTEN PERMISSION.	DRAWN: <b>PAM JENKINS</b>	DATE: <b>6-10-05</b>
		CHECKED:	DATE:
<h1>NorComp</h1>	SCALE	SHEET OF	REV <b>5</b>
	DWG NO. <b>970 -YYY-030R121</b>		